



**TemperShield**<sup>®</sup>

TOUGHENED CURVED GLASS - BY GLASSHAPE

# Curved Glass Specifications

Discover the True Capabilities of Glass

[www.glasshape.com](http://www.glasshape.com)

# Curved Glass Specifications

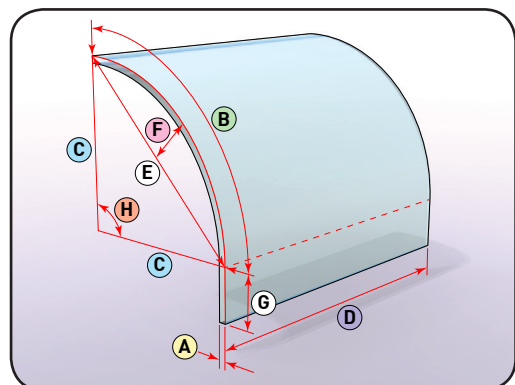
Type	A Glass Thickness mm (Inches)	B Girth mm (Inches)	C Minimum Radius mm (Inches)	D Length mm (Inches)	F Maximum Depth mm (Inches)	H Maximum Angle (Degrees)
TemperShield® Even Radius Small Panels	4mm (5/32")	350 to 1000mm (13 25/32" to 39 3/8")	450mm (17 23/32")	100 to 2440mm (3 15/16" to 96 1/16")	250mm (9 27/32")	127
	5mm (13/64")	350 to 1050mm (13 25/32" to 41 11/32")	450mm (17 23/32")	100 to 2440mm (3 15/16" to 96 1/16")	273mm (10 3/4")	135
	6mm (15/64")	350 to 1100mm (13 25/32" to 43 5/16")	450mm (17 23/32")	100 to 2440mm (3 15/16" to 96 1/16")	296mm (11 21/32")	140
	8mm (5/16")	350 to 1150mm (13 25/32" to 45 9/32")	500mm (19 11/16")	100 to 2440mm (3 15/16" to 96 1/16")	296mm (11 21/32")	132
	10mm (25/64")	350 to 1200mm (13 25/32" to 47 1/4")	550mm (21 21/32")	100 to 2440mm (3 15/16" to 96 1/16")	296mm (11 21/32")	125
	12mm (15/32")	350 to 1250mm (13 25/32" to 49 7/32")	650mm (25 19/32")	100 to 2440mm (3 15/16" to 96 1/16")	278mm (10 15/16")	110
	15mm (19/32")	350 to 1300mm (13 25/32" to 51 3/16")	750mm (29 17/32")	100 to 2440mm (3 15/16" to 96 1/16")	264mm (10 25/64")	99
TemperShield® Even Radius Large Panels	5mm (13/64")	650 to 2440mm (25 19/32" to 96 1/16")	1000mm (39 3/8")	350 to 3900mm (13 25/32" to 153 35/64")	656mm (25 53/64")	140
	6mm (15/64")	650 to 2440mm (25 19/32" to 96 1/16")	1000mm (39 3/8")	350 to 3900mm (13 25/32" to 153 35/64")	656mm (25 53/64")	140
	8mm (5/16")	650 to 2440mm (25 19/32" to 96 1/16")	1000mm (39 3/8")	350 to 3900mm (13 25/32" to 153 35/64")	656mm (25 53/64")	140
	10mm (25/64")	650 to 2440mm (25 19/32" to 96 1/16")	1000mm (39 3/8")	350 to 3900mm (13 25/32" to 153 35/64")	656mm (25 53/64")	140
	12mm (15/32")	650 to 2440mm (25 19/32" to 96 1/16")	1200mm (47 1/4")	350 to 3900mm (13 25/32" to 153 35/64")	569mm (22 13/32")	117
	15mm (19/32")	650 to 2440mm (25 19/32" to 96 1/16")	1500mm (59 1/16")	350 to 3900mm (13 25/32" to 153 35/64")	469mm (18 15/32")	93
	19mm (3/4")	650 to 2440mm (25 19/32" to 96 1/16")	1900mm (74 51/64")	350 to 3900mm (13 25/32" to 153 35/64")	378mm (14 7/8")	74
TemperShield® "J" curves, Even and Uneven Radius Panels	2mm (5/64")	80 to 900mm (3 5/32" to 35 7/16")	50mm (1 31/32")	50 to 1200mm (1 31/32" to 47 1/4")	266mm (10 15/32")	160
	3mm (1/8")	100 to 1600mm (3 15/16" to 62 63/64")	80mm (3 3/52")	50 to 2400mm (1 31/32" to 94 31/64")	474mm (18 21/32")	160
	4mm (5/32")	150 to 1800mm (5 29/32" to 70 55/64")	100mm (3 15/16")	50 to 2800mm (1 31/32" to 110 15/64")	533mm (20 63/64")	160
	5mm (13/64")	180 to 2250mm (7 3/32" to 88 37/64")	150mm (5 29/32")	50 to 3150mm (1 31/32" to 124 1/64")	650mm (25 19/32")	154
	6mm (15/64")	200 to 2350mm (7 7/8" to 92 33/64")	150mm (5 29/32")	50 to 3250mm (1 31/32" to 127 61/64")	650mm (25 19/32")	145
	8mm (5/16")	200 to 2350mm (7 7/8" to 92 33/64")	200mm (7 7/8")	50 to 3250mm (1 31/32" to 127 61/64")	650mm (25 19/32")	145
	10mm (25/64")	200 to 2350mm (7 7/8" to 92 33/64")	200mm (7 7/8")	50 to 3250mm (1 31/32" to 127 61/64")	650mm (25 19/32")	145
	12mm (15/32")	200 to 2350mm (7 7/8" to 92 33/64")	300mm (11 13/16")	50 to 3250mm (1 31/32" to 127 61/64")	650mm (25 19/32")	145
	15mm (19/32")	200 to 2350mm (7 7/8" to 92 33/64")	350mm (13 25/32")	50 to 3250mm (1 31/32" to 127 61/64")	650mm (25 19/32")	145
19mm (3/4")	200 to 2350mm (7 7/8" to 92 33/64")	450mm (17 23/32")	50 to 3250mm (1 31/32" to 127 61/64")	650mm (25 19/32")	145	

## Notes

1. Increasingly tighter curves require thinner & smaller glass sizes as outlined above.
2. Maximum height can vary depending on the radius & glass thickness. If the height is greater than 3600mm (141 47/64"), then please call us to confirm.

## Diagram Key:

- |                          |                  |
|--------------------------|------------------|
| <b>A</b> Glass Thickness | <b>E</b> Chord   |
| <b>B</b> Girth           | <b>F</b> Depth   |
| <b>C</b> Radius          | <b>G</b> Tangent |
| <b>D</b> Length          | <b>H</b> Angle   |



United States  
 Phone: +1 206 538 5416  
 Email: info@glasshape.com

Australia  
 Phone: 1800 042 716  
 Email: info@glasshape.com.au

New Zealand  
 Phone: 0800 883 336  
 Email: info@glasshape.co.nz